

SmartSwitch 9000
9C114 and 9C714 Chassis
Installation Guide

9031125-03

CABLETRON
SYSTEMS

Notice

Cabletron Systems reserves the right to make changes in specifications and other information contained in this document without prior notice. The reader should in all cases consult Cabletron Systems to determine whether any such changes have been made.

The hardware, firmware, or software described in this manual is subject to change without notice.

IN NO EVENT SHALL CABLETRON SYSTEMS BE LIABLE FOR ANY INCIDENTAL, INDIRECT, SPECIAL, OR CONSEQUENTIAL DAMAGES WHATSOEVER (INCLUDING BUT NOT LIMITED TO LOST PROFITS) ARISING OUT OF OR RELATED TO THIS MANUAL OR THE INFORMATION CONTAINED IN IT, EVEN IF CABLETRON SYSTEMS HAS BEEN ADVISED OF, KNOWN, OR SHOULD HAVE KNOWN, THE POSSIBILITY OF SUCH DAMAGES.

© March 1999 by:

Cabletron Systems, Inc.
35 Industrial Way
Rochester, NH 03867

All Rights Reserved
Printed in the United States of America

Order Number: 9031125-03

LANVIEW is a registered trademark, and **SmartSwitch** is a trademark of Cabletron Systems, Inc.

CompuServe is a registered trademark of CompuServe, Inc.

i960 microprocessor is a registered trademark of Intel Corp.

Ethernet is a trademark of Xerox Corporation.

FCC Notice

This device complies with Part 15 of the FCC rules. Operation is subject to the following two conditions: (1) this device may not cause harmful interference, and (2) this device must accept any interference received, including interference that may cause undesired operation.

NOTE: This equipment has been tested and found to comply with the limits for a Class A digital device, pursuant to Part 15 of the FCC rules. These limits are designed to provide reasonable protection against harmful interference when the equipment is operated in a commercial environment. This equipment uses, generates, and can radiate radio frequency energy and if not installed in accordance with the operator's manual, may cause harmful interference to radio communications. Operation of this equipment in a residential area is likely to cause interference in which case the user will be required to correct the interference at his own expense.

WARNING: Changes or modifications made to this device which are not expressly approved by the party responsible for compliance could void the user's authority to operate the equipment.

VCCI Notice

This is a Class A product based on the standard of the Voluntary Control Council for Interference by Information Technology Equipment (VCCI). If this equipment is used in a domestic environment, radio disturbance may arise. When such trouble occurs, the user may be required to take corrective actions.

この装置は、情報処理装置等電波障害自主規制協議会（VCCI）の基準に基づくクラスA情報技術装置です。この装置を家庭環境で使用すると電波妨害を引き起こすことがあります。この場合には使用者が適切な対策を講ずるよう要求されることがあります。

Industry Canada Notice

This digital apparatus does not exceed the Class A limits for radio noise emissions from digital apparatus set out in the Radio Interference Regulations of the Canadian Department of Communications.

Le présent appareil numérique n'émet pas de bruits radioélectriques dépassant les limites applicables aux appareils numériques de la class A prescrites dans le Règlement sur le brouillage radioélectrique édicté par le ministère des Communications du Canada.

Declaration of Conformity Addendum

Application of Council Directive(s): **89/336/EEC**

73/23/EEC

Manufacturer's Name: **Cabletron Systems, Inc.**

Manufacturer's Address: **35 Industrial Way**

PO Box 5005

Rochester, NH 03867

European Representative Name: **Mr. J. Solari**

European Representative Address: **Cabletron Systems Limited**

Nexus House, Newbury Business Park

London Road, Newbury

Berkshire RG13 2PZ, England

Conformance to Directive(s)/Product Standards: **EC Directive 89/336/EEC**

EC Directive 73/23/EEC

EN 55022

EN 50082-1

EN 60950

Equipment Type/Environment: **Networking Equipment, for use in a**

Commercial or Light

Industrial Environment.

We the undersigned, hereby declare, under our sole responsibility, that the equipment packaged with this notice conforms to the above directives.

Mr. Ronald Fotino

Full Name

Mr. J. Solari

Full Name

Principal Compliance Engineer

Title

Managing Director - E.M.E.A.

Title

Rochester, NH, USA

Location

Newbury, Berkshire, England

Location

Chapter 1 Installing the 9Cx14 Chassis

The SmartSwitch 9000	1-1
Features	1-1
Multiple Technology Support	1-1
Redundant Power Supply Modules.....	1-2
9C300-1 Environmental Module.....	1-2
The Backplane	1-2
Getting Help	1-4
Site Guidelines.....	1-5
Installation.....	1-5
Required Tools.....	1-5
Unpacking the SmartSwitch 9000 Chassis	1-5
Installation Order.....	1-6
Rack Mounting the Chassis	1-7
Installing a Power Supply	1-8
Attaching the Electrostatic Discharge (ESD) Wrist Strap.....	1-10
Installing the Environmental Module.....	1-11
Installing SmartSwitch 9000 Interface Modules	1-12
Attaching 9C614 INB Terminator Modules.....	1-14
Powering up the SmartSwitch 9000	1-15
Operating Specifications	1-16
Environmental Requirements	1-16
Regulatory Compliance	1-16
9C114 MMAC-Plus Chassis.....	1-16
9C714 MMAC-Plus Chassis.....	1-17
9C300-1 Environmental Module.....	1-17
9C214-1 Power Supply	1-17
9C614 INB Terminator Module.....	1-18

Installing the 9Cx14 Chassis

This document contains information necessary to install the SmartSwitch 9000 9C114 and 9C714 chassis. It is designed for the initial installation only. For detailed operational information on the various SmartSwitch 9000 components, refer to the following manuals:

SmartSwitch 9000 9C300-1 Environmental Module User's Guide

SmartSwitch 9000 9C214-1 AC Power Supply Installation Guide

SmartSwitch 9000 9C214-2 DC Power Supply Installation Guide

Local Management User's Guide

In addition, each interface module has a user's guide.

The SmartSwitch 9000

The SmartSwitch 9000 chassis is a networking platform that provides support for the configuration and operation of up to 14 Cabletron Systems SmartSwitch 9000 interface modules.

Features

Multiple Technology Support

The design of the chassis allows it to provide support for existing and future Local Area Networking technologies such as Ethernet, Fast Ethernet, Gigabit Ethernet, Token Ring, Fiber Distributed Data Interface (FDDI), Systems Network Architecture (SNA), Wide Area Networks (WAN), and Asynchronous Transfer Mode (ATM).

Redundant Power Supply Modules

The 9C114 and 9C714 support the installation of two power supplies for power supply redundancy and load sharing. If a 9C500 Power Box is used, up to six power supplies may be installed.

9C300-1 Environmental Module

The 9C300-1 Environmental Module provides out-of-band management capabilities, monitors power supply and environmental status, and has a built-in cooling system. The 9C300-1 Environmental Module is also “hot swappable” so that it can be removed for repair or replacement without causing network downtime. For details refer to the *SmartSwitch 9000 9C300-1 Environmental Module User’s Guide*.

The Backplane

The 9C114 SmartSwitch 9000 provides six distinct backplane buses, and the 9C714 provides an additional seventh bus, the Cell Transfer Matrix. Each bus serves a particular set of needs. The seven backplane buses are shown in Figure 1-1.

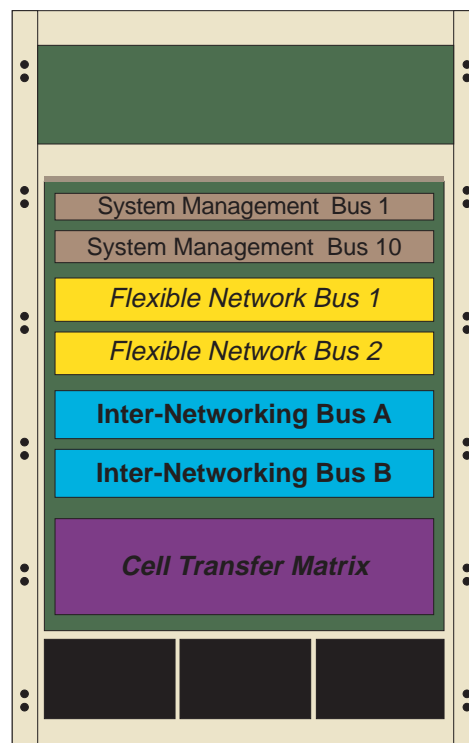


Figure 1-1. The SmartSwitch 9000 Backplane Buses

The descriptions of the seven backplane buses are as follows:

System Management Bus 1

The System Management Bus 1, abbreviated SMB-1, is a management bus devoted solely to transferring management information between the modules in the chassis. It is through the SMB-1 that modules inform each other, and the Environmental Module, of their current operating status, diagnostic test results, initialization queries and other information. The SMB-1 operates at 1 Mbps, and every module in the chassis has a connection to it.

System Management Bus 10

The System Management Bus 10, or SMB-10, performs similar functions to those of the SMB-1 previously discussed in this section. The SMB-10 bus is devoted to the transfer of management data within the chassis, but is used for out-of-band or Local Management operations. The SMB-10 operates at Ethernet speeds of 10 Mbps, and is connected to any manageable module in the chassis. Access to the SMB-10 for Local Management operations is provided through an Ethernet Port Interface Module (EPIM) slot on the 9C300 Environmental Module, or through the serial COM ports, also located on the Environmental Module. The SMB-10 can also be accessed from in-band management through a Telnet application.

The Flexible Network Buses

The Flexible Network Buses, FNB-1 and FNB-2, are the primary backplane buses used to connect SmartSwitch 9000 modules for shared network designs. Each FNB bus operates as a dual, counterrotating Fiber Distributed Data Interface (FDDI) ring. Each FNB bus operates at 100 Mbps, and consists of one primary ring and its associated secondary ring. In the event of a failure of a station or a connection, the signals from the primary ring are wrapped onto the secondary ring, creating a single ring and allowing network traffic to continue circulating. The construction of the FNB backplanes includes shunting connectors which allow network signals to pass by unpopulated slots in the chassis. This design frees Network Managers from a dependence on specific ordering or placement of modules, and allows modules to be removed from the FNB without causing a wrap of the FDDI ring.

The Internal Network Buses

The Internal Network Buses, abbreviated INB-1 and INB-2, are designed to simultaneously support both packet and ATM cell transport. Each INB data channel is 64 bits wide (56 byte data bus and 8 byte management and control bus) and runs at a clock rate of 40 mhz, yielding a sustained data rate of 2 Gbps, and a burst rate of 2.5 Gbps. The 8 byte management and control bus allows all signaling and bus arbitration functions to occur out-of-band with regard to user data.

The Cell Transfer Matrix (installed in the 9C714 chassis only)

The Cell Transfer Matrix provides a Time Division Multiplexed (TDM) based mesh of full duplex, high speed (1.6 Gbps) dedicated interconnections capable of carrying standard ATM cell traffic. These interconnections are a series of point-to-point links between an individual module, and every other module that directly connects to the Cell Transfer Matrix. If the 9C714 chassis has 14 modules that connect to the CTM installed, there are 182 point-to-point links between all the modules, providing a total aggregate switching capacity of 75 Gbps.

Getting Help

For additional support related to this device or document, contact Cabletron Systems using one of the following methods:

World Wide Web	http://www.cabletron.com/
Phone	(603) 332-9400
Internet mail	support@cabletron.com
FTP	ftp://ftp.cabletron.com/
Login	<i>anonymous</i>
Password	<i>your email address</i>
To send comments or suggestions concerning this document, contact the Cabletron Systems Technical Writing Department via the following email address: TechWriting@cabletron.com <i>Make sure to include the document Part Number in the email message.</i>	

Before calling Cabletron Systems, have the following information ready:

- Your Cabletron Systems service contract number
- A description of the failure
- A description of any action(s) already taken to resolve the problem (e.g., changing mode switches, rebooting the unit, etc.)
- The serial and revision numbers of all involved Cabletron Systems products in the network
- A description of your network environment (layout, cable type, etc.)
- Network load and frame size at the time of trouble (if known)
- The device history (i.e., have you returned the device before, is this a recurring problem, etc.)
- Any previous Return Material Authorization (RMA) numbers

Site Guidelines

The following guidelines must be followed to select a suitable site for the SmartSwitch 9000. If not, unsatisfactory network performance may result.

The site must have an unrestricted free surface area around the SmartSwitch 9000 chassis, allowing for free movement of air. An open space of at least 84 high by 63.5 wide by 81.24 centimeters deep (33 high by 25 wide by 32 inches deep) is the minimum recommended. If the unit is installed in an enclosed equipment cabinet, the cabinet should have a built-in cooling fan. The maximum theoretical heat dissipation of the SmartSwitch 9000 is 8700 BTUs per hour. Actual heat dissipation will vary depending on the modules installed in the SmartSwitch 9000 chassis. The temperature of the location must be maintained between 5° and 40°C (40° and 104°F). Changes in temperature greater than 10°C (18°F) per hour should not occur.

A standard 3-prong power receptacle must be located within 6 feet of the system. One circuit is recommended for each power supply. The AC wiring for the receptacle must be able to supply 12 amps at 120 volts or 6 amps at 220 volts.

Installation

Required Tools

The following tools are required to install the 9C114 and 9C714 chassis:

- Phillips Screwdriver
- Flathead Screwdriver
- Electrostatic Discharge (ESD) Wrist Strap (provided with the chassis)

Unpacking the SmartSwitch 9000 Chassis

Unpack the chassis by following the steps below:

1. Remove the unit from the shipping box.
2. Remove the protective plastic bag.
3. Remove the accessory package.
4. Remove the Electrostatic Discharge (ESD) Wrist Strap package.

Installation Order

Once a suitable site has been chosen, the SmartSwitch 9000 may be installed. The unit may be free standing or rack mounted.

It is recommended that the SmartSwitch 9000 installation proceed in this order:

1. Mount the chassis to the rack or other secure location.
2. Install the power supply(ies).
3. Attach the Electrostatic Discharge (ESD) Wrist Strap.
4. Install the Environmental Module.
5. Install the Interface Modules.
6. If necessary, install the INB Terminator Modules.

Rack Mounting the Chassis

The chassis can be mounted in a standard 19-inch equipment rack. If the rack is not secured to the floor, it is recommended that the SmartSwitch 9000 be installed in the bottom half of the rack. This will prevent the rack from being top heavy. Two people may be required to lift the chassis into place.

The chassis is secured with twelve bolts, six on each side. Using the bolts provided with the rack, bolt the chassis to the rack, starting with the bottom holes and working up, as shown in Figure 1-2.

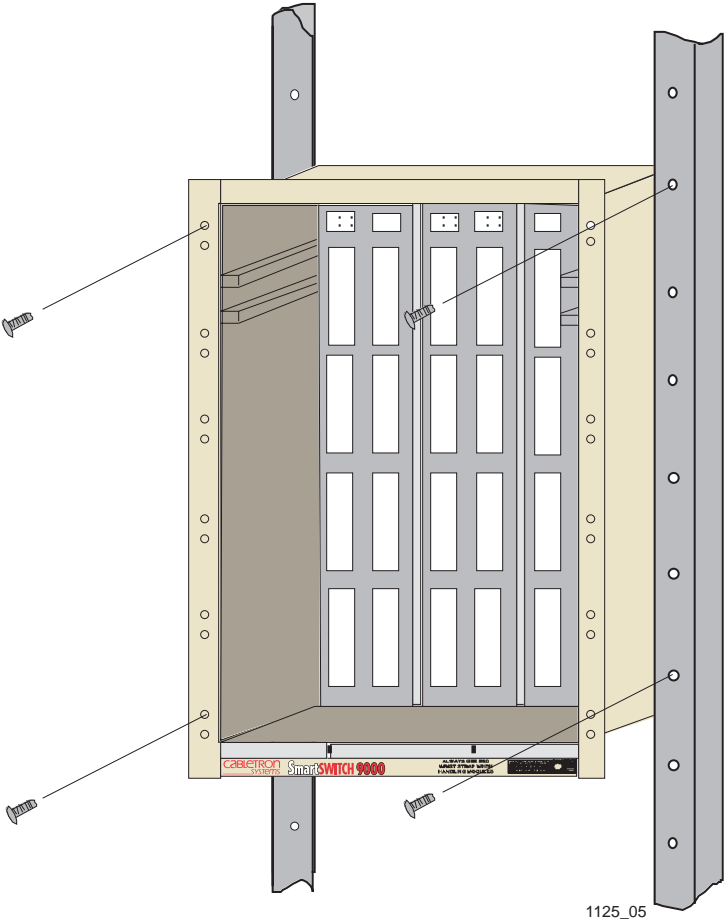


Figure 1-2. Rack Mounting the Chassis

Installing a Power Supply

At least one power supply must be installed on the rear of the MMAC-Plus chassis. Additional power supplies can be added to achieve redundancy.

A power supply is installed by plugging it into either the left or right power supply connector on the SmartSwitch 9000 chassis, as shown in Figure 1-3.

Install a power supply by following the steps below:

1. Unpack the power supply by removing it from the shipping box and sliding the two foam end caps off the unit. (Save the shipping box and packing materials in the event the power supply must be reshipped.)
2. Remove the power supply from the protective plastic bag. (Save the bag in the event the power supply must be reshipped.)
3. Examine the power supply carefully, checking for damage. If any damage exists, DO NOT install the power supply. Immediately contact Cabletron Systems Technical support.
4. Loosen and remove the two screws from one of the power supply connector covers on the rear of the MMAC-Plus chassis.
5. Remove the cover. (Keep the cover in the event you need to remove the power supply. The cover must be replaced to protect the connector.)
6. Hold the power supply by the handles on the top and bottom of the unit and do the following:
 - a. Align the power supply so that the lip on the bottom and the hook on the top are slightly above the corresponding slots on the chassis.
 - b. Ease the power supply down until the hook catches the slot on the top and the tab is inserted in the slot on the bottom.
 - c. Plug the power supply into the corresponding connector on the back of the chassis by pushing the power supply until its frame touches the surface of the MMAC-Plus chassis. Do not force the power supply in place. If significant resistance is encountered before the frame is flush with the chassis, remove the power supply, realign it, and push it in again.
 - d. Secure the power supply to the chassis by tightening the four screws on the top and bottom of the power supply. For proper chassis grounding, the four slotted screws must be properly tightened.
7. If you are installing a second power supply, repeat steps 1–6.

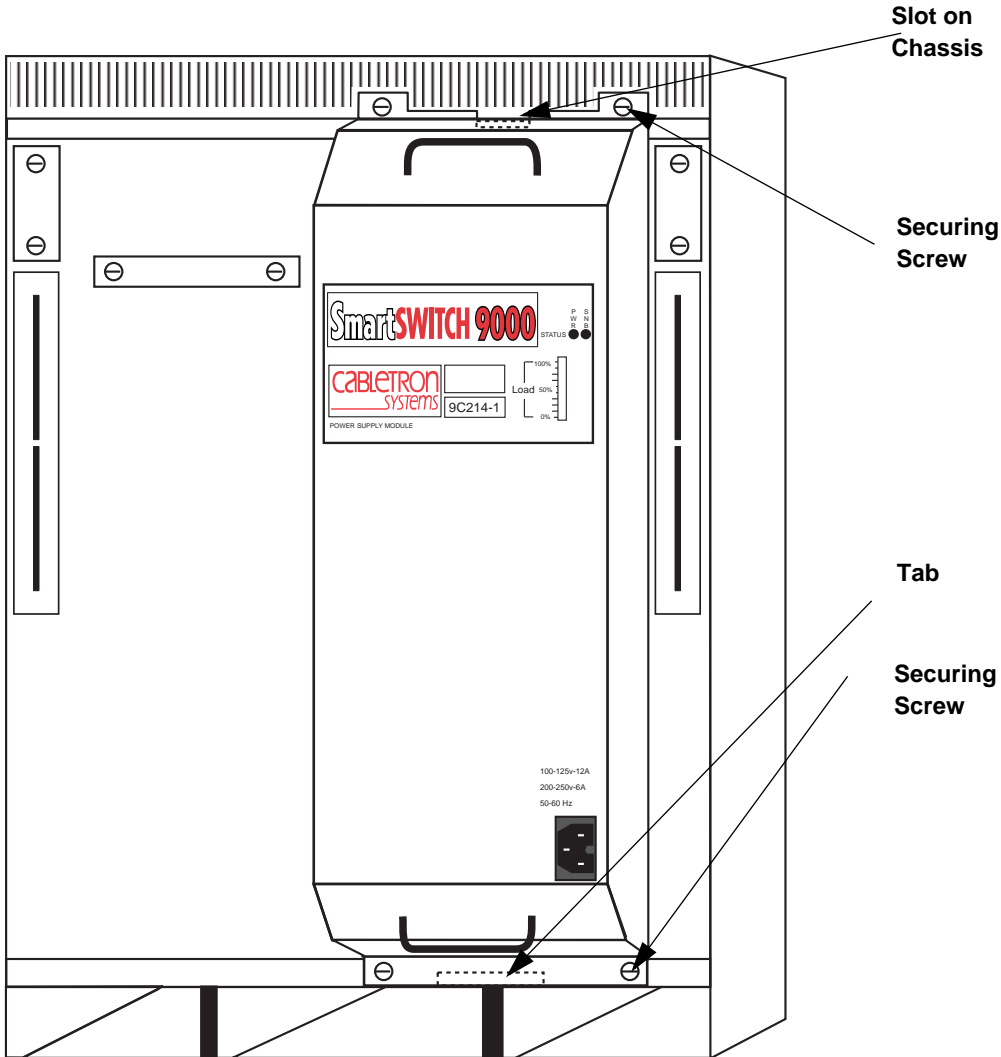


Figure 1-3. Installing a Power Supply

Attaching the Electrostatic Discharge (ESD) Wrist Strap

The ESD Wrist Strap must be attached before handling the Environmental Module or SmartSwitch 9000 Interface Modules. In addition, observe all precautions when handling these modules to prevent damage from ESD.

Attach the ESD Wrist Strap by following the steps below:

1. Attach one end of the ESD Wrist Strap to your wrist.
2. Plug the other end into the ESD Wrist Strap grounding receptacle in the front lower right corner of the SmartSwitch 9000 chassis, as shown in Figure 1-4.

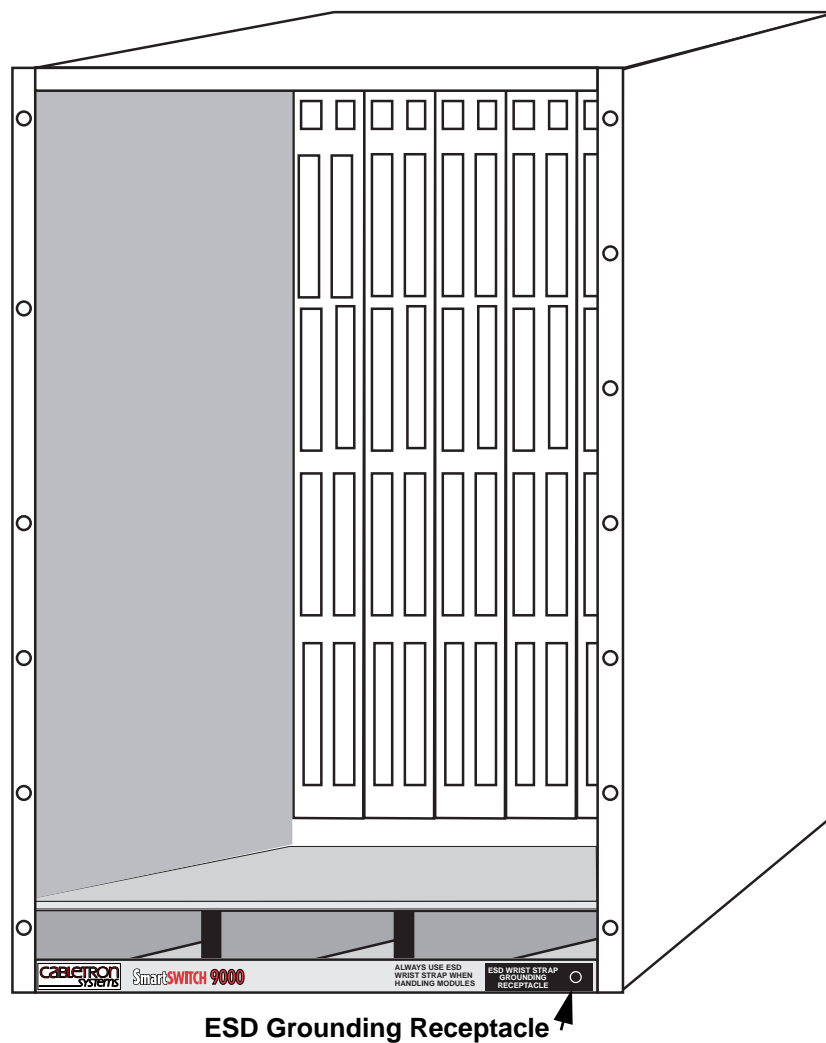


Figure 1-4. Attaching the ESD Wrist Strap

Installing the Environmental Module

The Environmental Module is installed in the slot above the module card cage in the front of the SmartSwitch 9000 chassis, as shown in Figure 1-5, by following the steps below:

1. Unpack the Environmental Module by carefully removing it from the shipping box and sliding the two foam end caps off of the unit. (Save the shipping box and packing materials in the event the Environmental Module must be reshipped.)
2. Remove the Environmental Module from the protective plastic bag. (Save the bag in the event the Environmental Module must be reshipped.) Observe all precautions to prevent damage from Electrostatic Discharge (ESD).
3. Remove the plastic protective cap that covers the connector on the rear of the Environmental Module.
4. Examine the Environmental Module, carefully checking for damage. If any damage exists, DO NOT install the Environmental Module. Immediately contact Cabletron Systems Technical Support.
5. Hold the left and right sides of the Environmental Module.
6. Line up the rails on the left and right sides of the Environmental Module with the tracks on the left and right inside panels of the chassis.
7. Slide the Environmental Module into the chassis until it is completely seated.

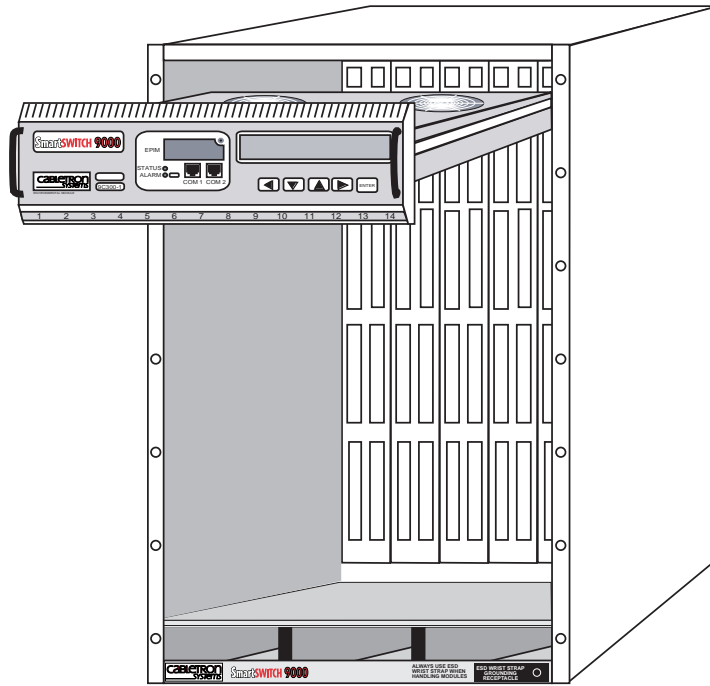


Figure 1-5. Installing the Environmental Module

Installing SmartSwitch 9000 Interface Modules

SmartSwitch 9000 Interface Modules can be installed in any of the 14 slots that are available. To install Interface Modules, follow the steps below:

1. Remove the blank panel, covering the slot in which the Interface Module will be installed. All other slots must remain covered to ensure proper airflow and cooling.
2. Unpack the Interface Module by carefully removing it from the shipping box. (Save the box and packing materials in the event the module must be reshipped.)
3. Remove the Interface Module from the plastic bag. (Save the bag in the event the Interface Module must be reshipped.) Observe all precautions to prevent damage from Electrostatic Discharge (ESD).
4. Examine the Interface Module, carefully checking for damage. If any damage exists, DO NOT install the Interface Module. Immediately contact Cabletron Systems Technical Support.

5. Install the Interface Module in the chassis by sliding it in any available slot and locking down the top and bottom plastic tabs, as shown in Figure 1-6. Take care that the Interface Module slides in straight and properly engages the backplane connectors. When installing the Interface Module, ensure that the circuit card is between the card guides, as shown in Figure 1-6. Check both the upper and lower tracks.
6. If you are installing additional Interface Modules, repeat steps 1–5.

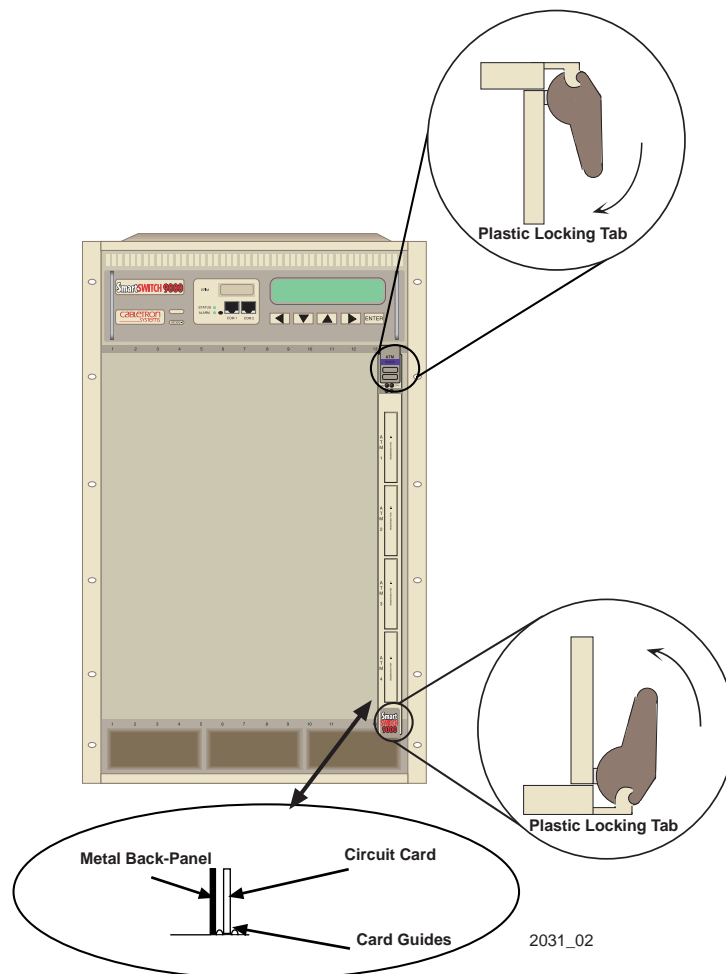


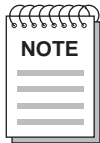
Figure 1-6. Installing SmartSwitch 9000 Interface Modules

Attaching 9C614 INB Terminator Modules

Two 9C614 INB Terminator Modules must be attached to the rear of the SmartSwitch 9000 chassis when Interface Modules that use the INB are inserted in the front of the chassis. These modules provide proper termination for the Internal Network Bus (INB).

The INB Terminator Modules are attached by following the steps below:

1. Remove the INB Terminator Modules from the shipping box. (Save the box and packing materials in the event the module must be reshipped.)
2. Hold the INB Terminator Module by the handle and line up the screws that extend from the module with the screw holes in one of the INB Termination Connectors on the rear of the SmartSwitch 9000 chassis (Figure 1-7).
3. Push the INB Terminator Module in gently until the frame of the module touches the frame of the chassis.
4. Tighten the screws on the INB Terminator Module.
5. Repeat steps 1–4 to attach the second INB Terminator Module.



The INB Terminator Module is designed to fit in either INB Termination Connector on the SmartSwitch 9000 chassis. If the screws that extend from the module do not line up with the screw holes on the INB Connector, turn the module over.

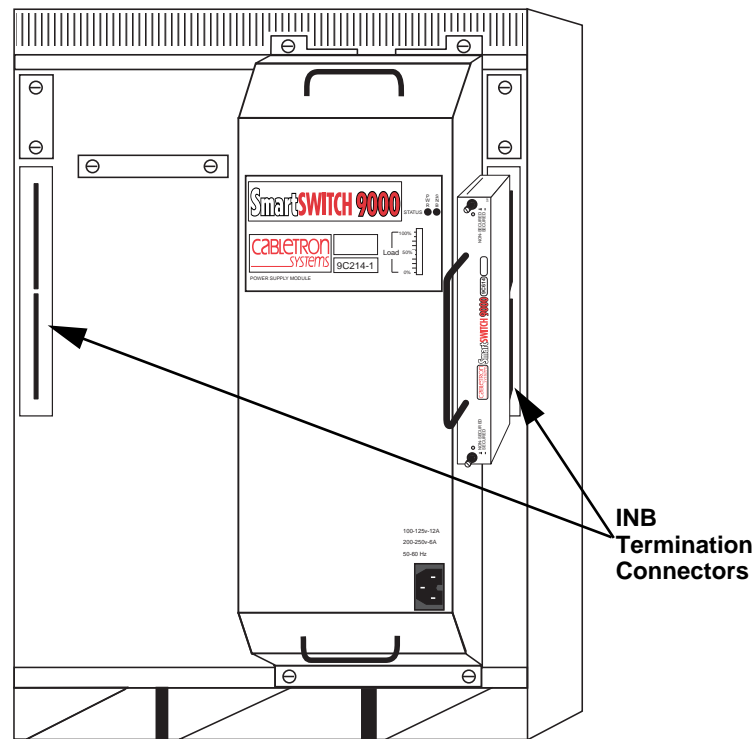


Figure 1-7. Attaching the INB Terminator Modules

Powering up the SmartSwitch 9000

The SmartSwitch 9000 chassis is powered up by following the steps below:

1. Plug one end of the power cord (supplied with the power supply) into the AC power socket on the lower right front corner of the power supply.
2. Plug the other end of the power cord into an AC receptacle. Turn on the power supply using the switch located near the power socket.
3. The power supply uses a soft start feature and does a pre-power diagnostic check. Outputs become enabled within 5 seconds of turning the power on.
4. Check that the PWR and SMB LEDs on the power supply are green.

If the LEDs are any color other than green, refer to the *Power Supply User's Guide*.

5. Check that all LEDs on the INB Terminator Module are green.

If the LEDs are any color other than green, refer to the **INB Terminator Module Installation Guide**.

6. Check that the Status and Alarm LEDs on the Environmental Module are green.

If the LEDs are not green, refer to the **Environmental Module User's Guide**.

7. Check that the System Management Bus (SMB) and the Board OK (BOK) LEDs on the front panel of each installed Interface Module are green. (Be sure the boards have completed booting; this may take up to 20 seconds.)

If an Interface Module's SMB and BOK LEDs are not green, refer to the User's Guide for that Interface Module.

Operating Specifications

Environmental Requirements

Operating Temperature:	5°C to 40°C (41°F to 104°F)
Storage Temperature:	-30°C to 90°C (-22°F to 194°F)
Operating Relative Humidity:	5% to 90% (non-condensing)

Regulatory Compliance

Safety

This equipment meets the safety requirements of UL 1950, CSA C22.2 No. 950, EN 60950, IEC 950 and 73/23/EEC.

Electromagnetic Compatibility

This equipment meets the requirements of FCC Part 15, EN 55022, VCCI V-3/93.01, CSA C108.8, EN 50082-1 and 89/336/EEC.

9C114 MMAC-Plus Chassis

Dimensions

76.2 H x 48.3 W x 49.3 D centimeters
(30 H x 19 W x 19.4 D inches)

Weight

Unit: 19.96 kilograms (44 pounds)

Shipping: 24.95 kilograms (55 pounds)

9C714 MMAC-Plus Chassis

Dimensions

76.2 H x 48.3 W x 49.3 D centimeters

(30 H x 19 W x 19.4 D inches)

Weight

Unit: 19.96 kilograms (44 pounds)

Shipping: 24.95 kilograms (55 pounds)

9C300-1 Environmental Module

Dimensions

12.7 H x 43.2 W x 44.5 D centimeters

(5 H x 17 W x 17.5 D inches)

Weight

Unit: 6.5 kilograms (14 pounds)

Shipping: 7.7 kilograms (17 pounds)

9C214-1 Power Supply

Dimensions

61 H x 19.1 W x 14 D centimeters

(24 H x 7.5 W x 5.5 D inches)

Weight

Unit: 7.7 kilograms (17 pounds)

Shipping: 9.07 kilograms (20 pounds)

9C614 INB Terminator Module

Dimensions

21.59 H x 2.22 W x 14.92 D centimeters
(8.5 H x 0.875 W x 5.875 D inches)

Weight

Unit: 0.45 kilograms (1 pound)
Shipping: 0.68 kilograms (1.5 pounds)